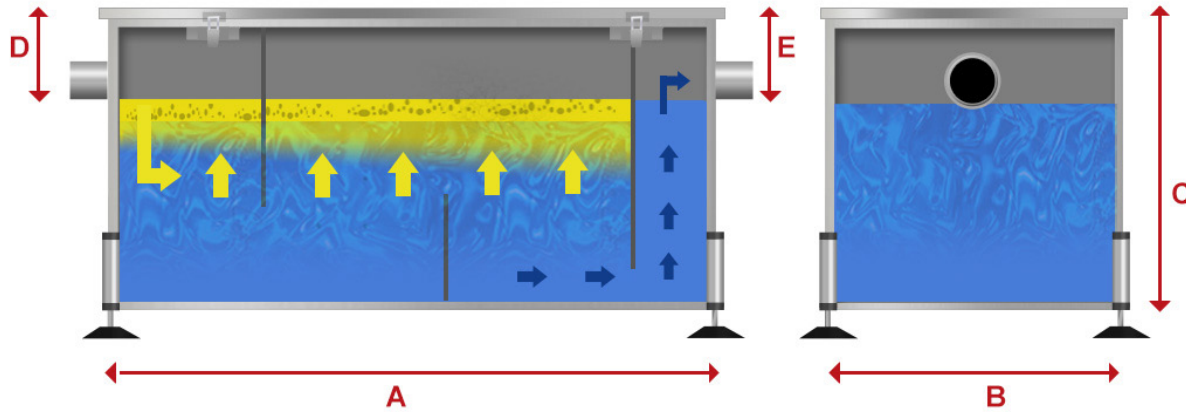


# SS-AGI Above Ground Interceptors

## Sizing and Dimensions



The size / flow rate is the most important factor when choosing your grease trap.

The adjacent chart is an excellent guide to what size you may need.

Alternatively, if you are unsure contact one of our staff on 01325 460040.

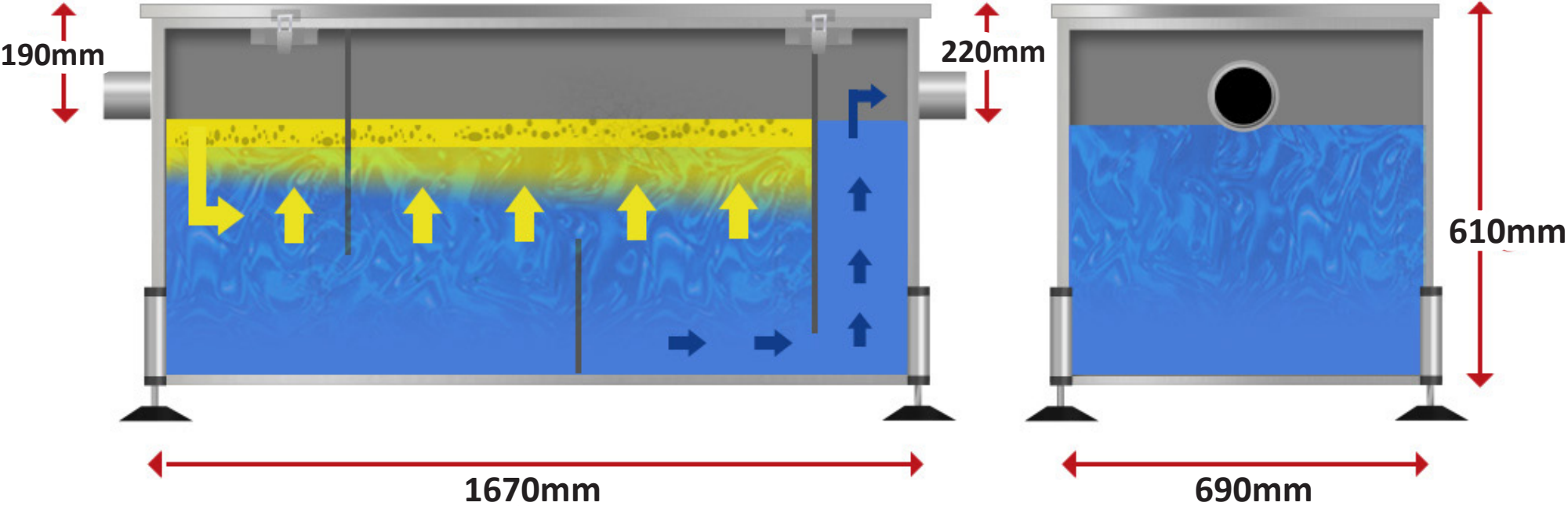
Model	Capacity	A	B	C	D	E	Inlet	Outlet
SS AGI 450 Litre	450 Litres	1670	690	610	190	220	110	110
SS AGI 700 Litre	700 Litres	1870	690	800	190	220	110	110
SS AGI 1000 Litre	1000 Litres	2150	690	900	190	220	110	110

(In-Let Size 110mm, Out-Let Size 110mm)

Above Sizes Shown in Millimetres

# SS-AGI 450 Litre Above Ground Interceptor

## Specification Sheet

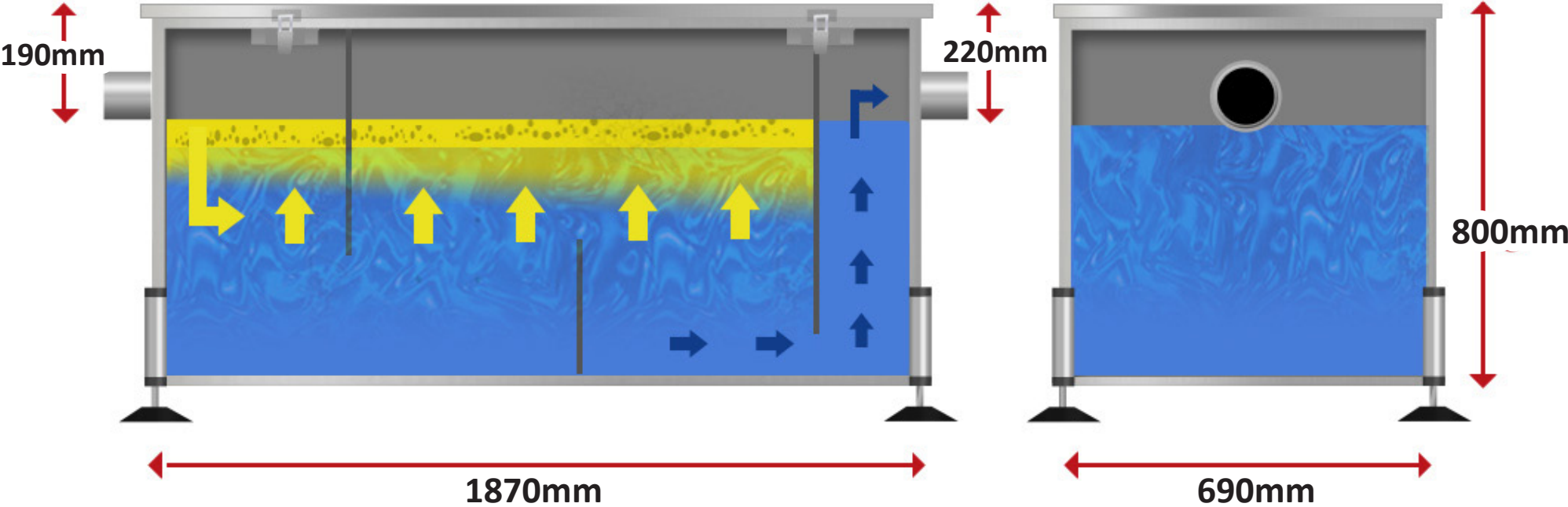


Capacity: **450 Litre**  
Pipe Size: **In-Let: 110 mm / Out-Let: 110mm**  
Application: **Hotels / Restaurants / Food Processing Factories**

Material: **304 Grade Stainless Steel**  
Seal Type: **Neoprene**  
Lid Clips: **304 Grade Stainless Steel**  
Feet: **Adjustable Tilting 200 mm**

# SS-AGI 750 Litre Above Ground Interceptor

## Specification Sheet

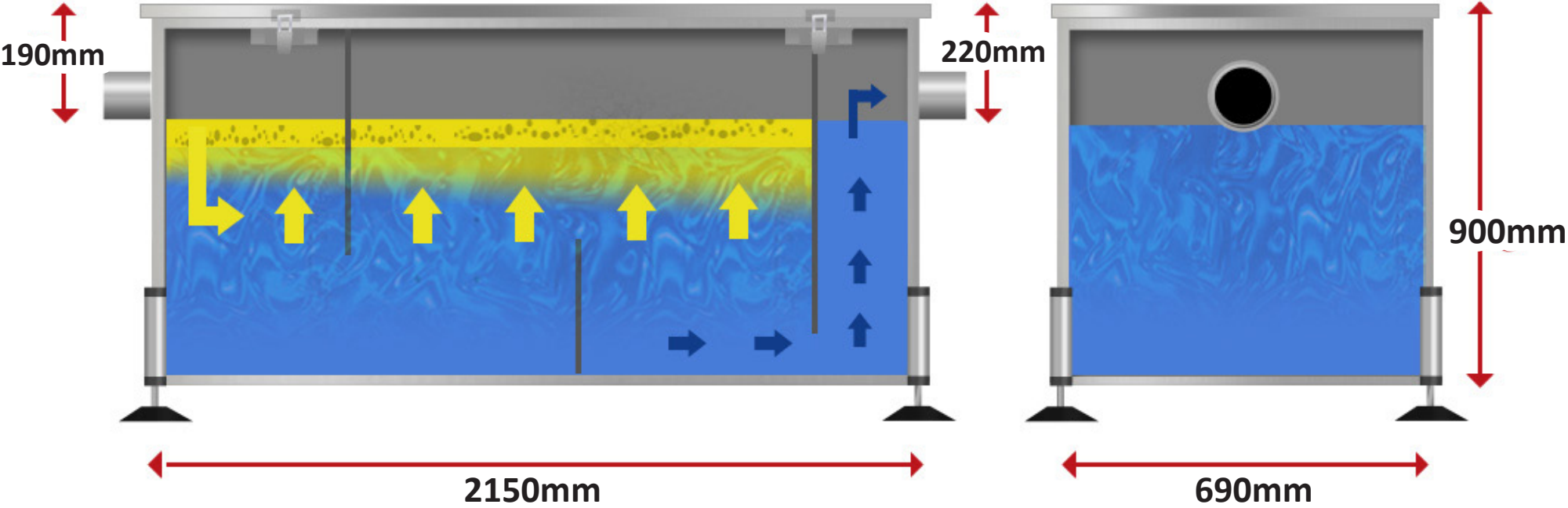


Capacity: **750 Litre**  
Pipe Size: **In-Let: 110 mm / Out-Let: 110mm**  
Application: **Hotels / Restaurants / Food Processing Factories**

Material: **304 Grade Stainless Steel**  
Seal Type: **Neoprene**  
Lid Clips: **304 Grade Stainless Steel**  
Feet: **Adjustable Tilting 200 mm**

# SS-AGI 1000 Litre Above Ground Interceptor

## Specification Sheet



Capacity: **1000 Litre**  
Pipe Size: **In-Let: 110 mm / Out-Let: 110mm**  
Application: **Hotels / Restaurants / Food Processing Factories**

Material: **304 Grade Stainless Steel**  
Seal Type: **Neoprene**  
Lid Clips: **304 Grade Stainless Steel**  
Feet: **Adjustable Tilting 200 mm**