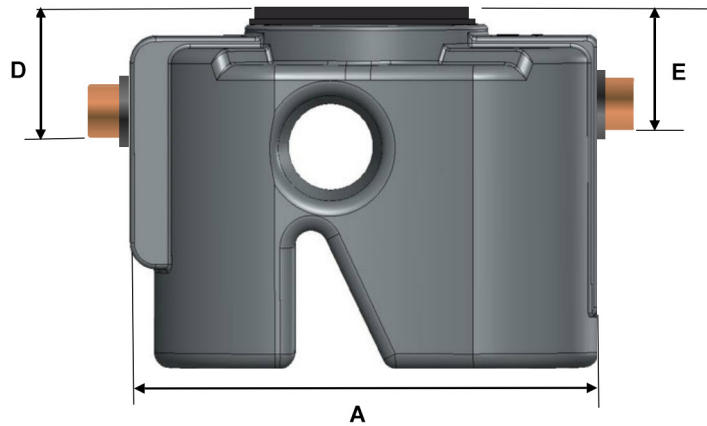




# Jumbo Underground Grease Interceptors

## Sizing and Dimensions



The size / flow rate is the most important factor when choosing your grease trap.

The adjacent chart is an excellent guide to what size you may need.

Alternatively, if you are unsure contact one of our staff on 01325 460040.

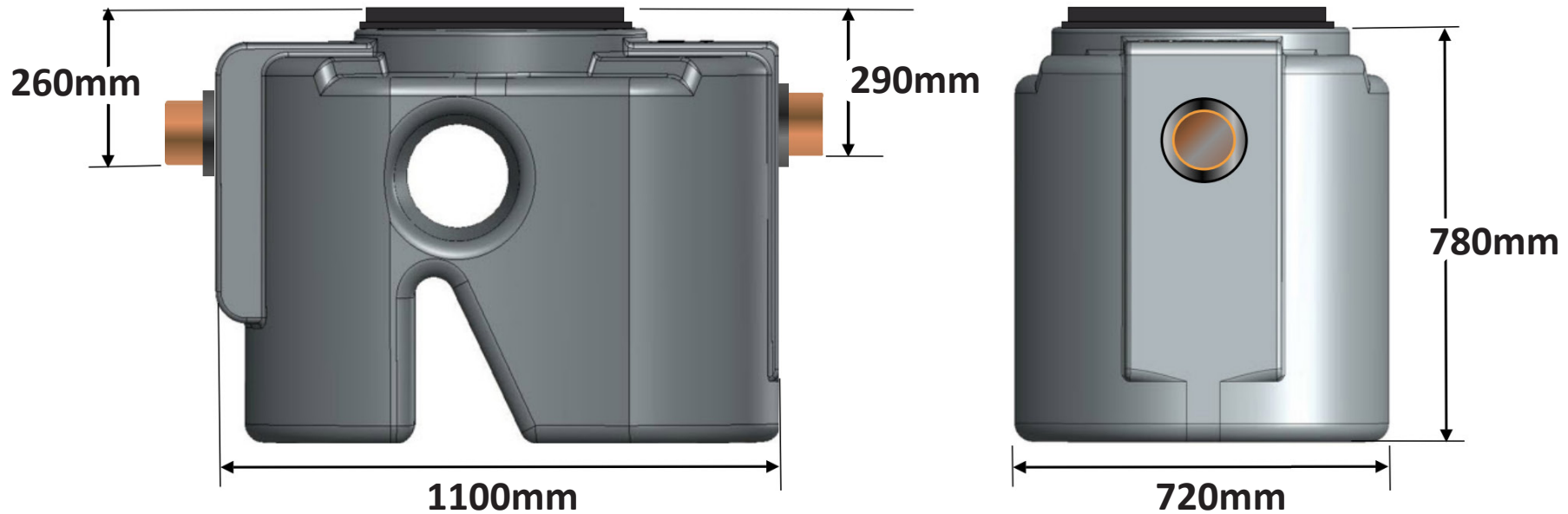
Model	Capacity	Application	A	B	C	D	E
Jumbo 300	150 Litres	Small/Med Sized Restaurants / Hotels	1100	720	780	290	260
Jumbo 600	300 Litres	Med/Lrg Sized Restaurants / Hotels	2280	720	780	290	260
Jumbo 1150	600 Litres	Large Hotels / Food Processing Plants	1810	710	1550	400	425

(In-Let Size 110mm, Out-Let Size 110mm)

Above Sizes Shown in Millimetres

# Jumbo Underground 300 Litre Grease Trap

## Specification Sheet



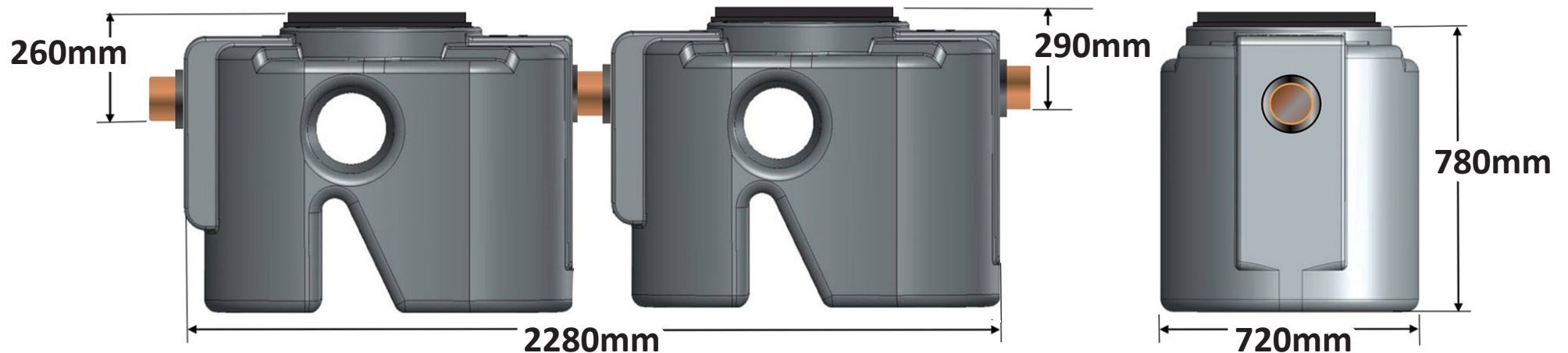
Capacity: **300 Litre**  
Pipe Size: **In-Let: 110 mm / Out-Let: 110mm**  
Application: **Med Sized Restaurants / Hotels**  
Installation: **Underground**

Material: **High Density Polyethylene**  
Cover: **Lockable Heavy Duty Plastic UK rated**  
Optional: **220mm Stackable HDPE Riser**



# Jumbo Underground 600 Litre Grease Trap

## Specification Sheet



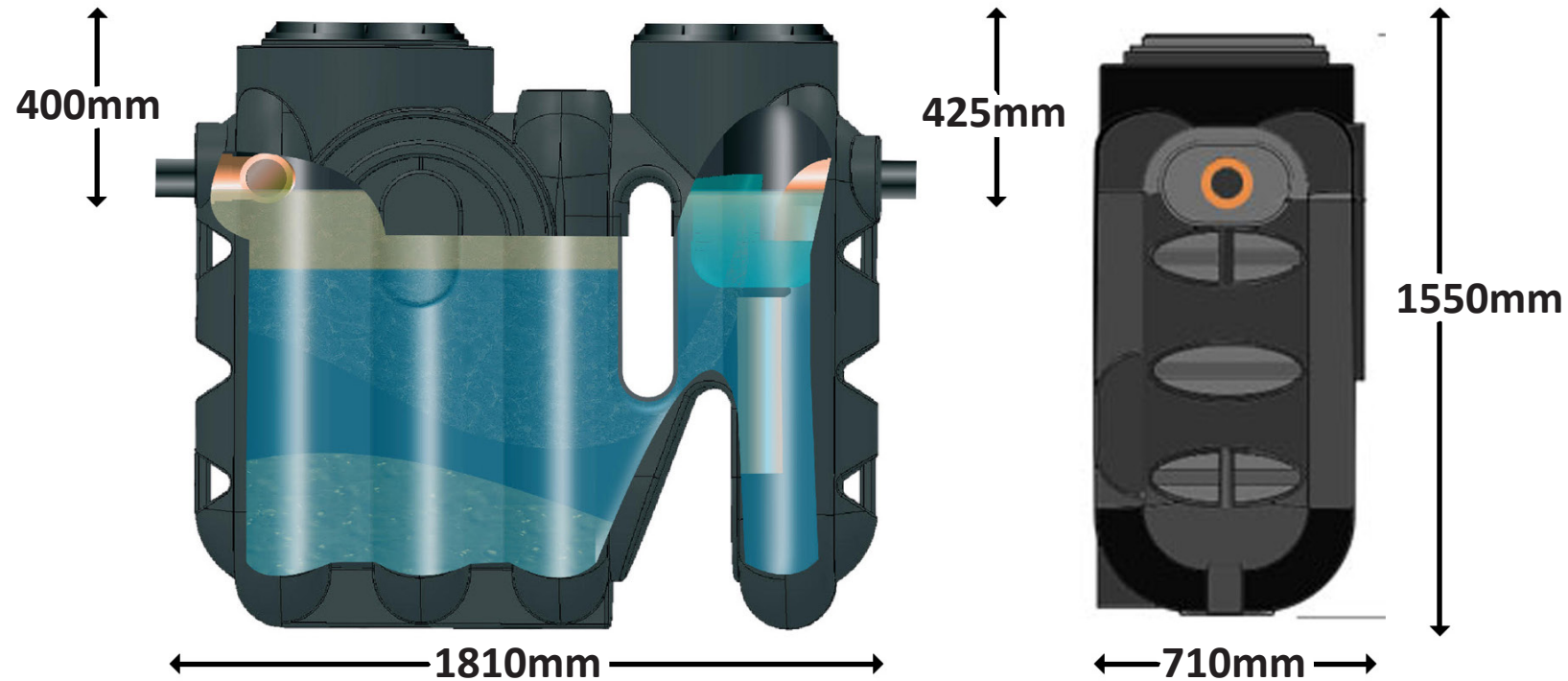
Capacity: **600 Litre**  
Pipe Size: **In-Let: 110 mm / Out-Let: 110mm**  
Application: **Med/Lrg Sized Restaurants / Hotels**  
Installation: **Underground**

Material: **High Density Polyethylene**  
Cover: **Lockable Heavy Duty Plastic UK rated**  
Optional: **220mm Stackable HDPE Riser**



# Jumbo Underground 1150 Litre Grease Trap

## Specification Sheet



Capacity: **1150 Litre**  
Pipe Size: **In-Let: 110 mm / Out-Let: 110mm**  
Application: **Large Hotels / Food Processing Plants**  
Installation: **Underground**

Material: **High Density Polyethylene**  
Cover: **Lockable Heavy Duty Plastic UK rated**  
Optional: **Stackable HDPE Riser**