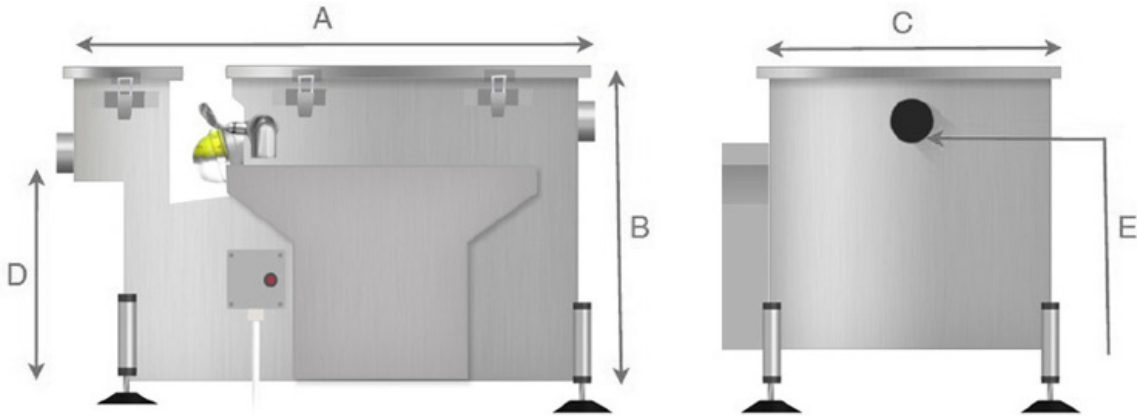




Grease Release[®] Semi Automatic Grease Trap

Sizing and Dimensions



The size / flow rate is the most important factor when choosing your grease trap.

The adjacent chart is an excellent guide to what size you may need.

Alternatively, if you are unsure contact one of our staff on 01325 460040.

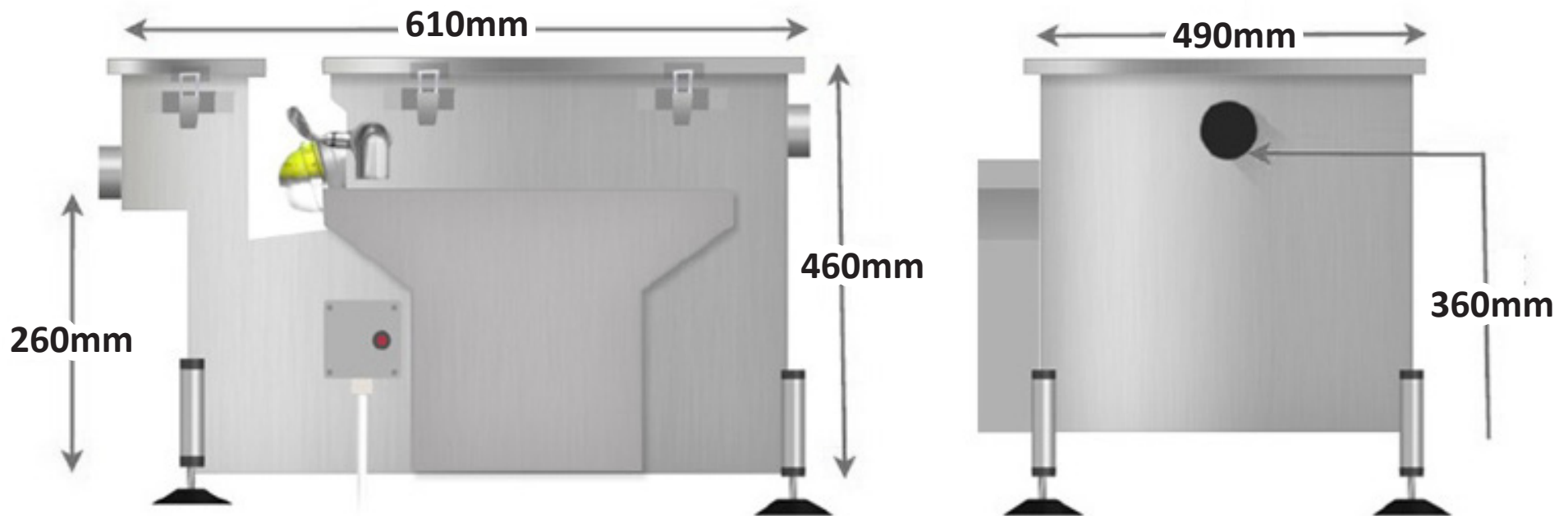
| Model | Flow Rate | Application | A | B | C | D | E |
|-------|-----------------------|--|-----|-----|-----|-----|-----|
| GR1 | 1 Litre Per Second | Small Pub / Restaurant / 1 Small-Med Commercial Sink & D / W | 610 | 460 | 490 | 260 | 360 |
| GR2 | 1.5 Litres Per Second | Pub / Restaurant / 1-3 Med Commercial Sink& D / W | 690 | 460 | 490 | 260 | 360 |
| GR3 | 2 Litres Per Second | Pub / Restaurant / 2-4 Med Commercial Sink& D / W | 840 | 460 | 490 | 260 | 360 |
| GR4 | 2.5 Litres Per Second | Large Pub / Restaurant / Multi Sinks & D / W | 990 | 460 | 490 | 260 | 360 |

(In-Let Size 40mm, Out-Let Size 50mm)

Above Sizes Shown in Millimetres

GR1 Grease Release[®] Semi Automatic Grease Trap

Specification Sheet

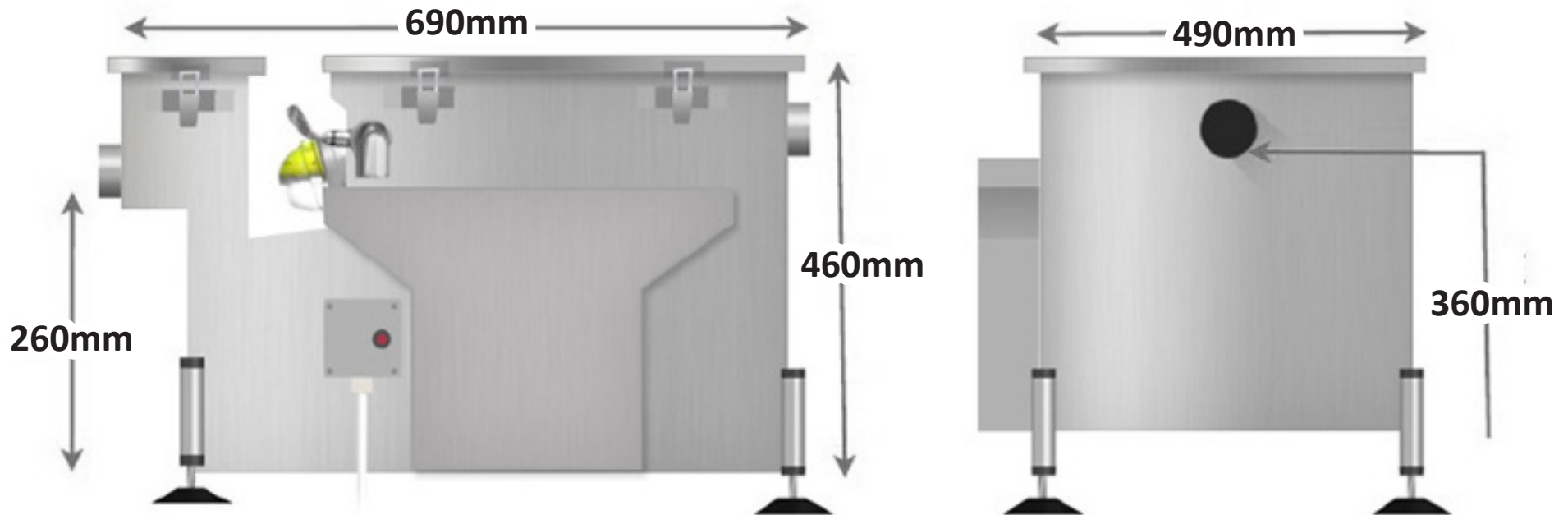


Flow Rate: **1 Litre Per Second**
Pipe Size: **In-Let: 40 mm / Out-Let: 50mm**
Application: **1 Small-Med Commercial Sink**

Material: **304 Grade Stainless Steel**
Seal Type: **Neoprene**
Lid Clips: **304 Grade Stainless Steel**
Feet: **Adjustable Tilting 50 mm**

GR2 Grease Release[®] Semi Automatic Grease Trap

Specification Sheet

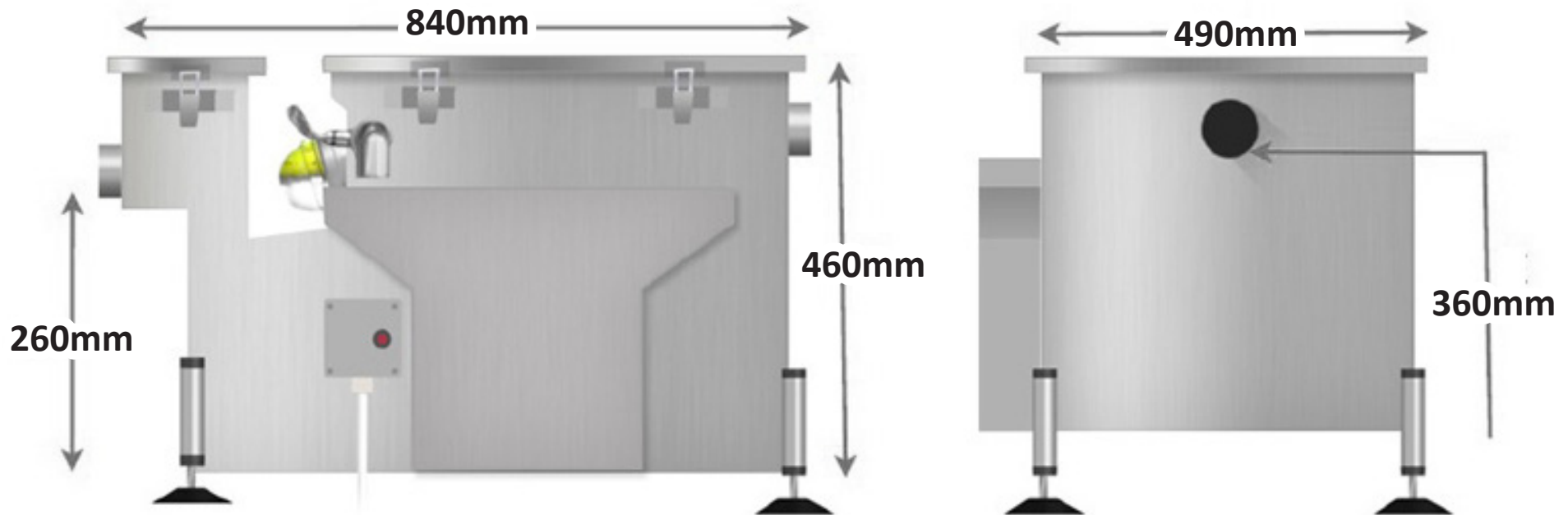


Flow Rate: **1.5 Litres Per Second**
Pipe Size: **In-Let: 40 mm / Out-Let: 50mm**
Application: **1 - 3 Medium Commercial Sinks**

Material: **304 Grade Stainless Steel**
Seal Type: **Neoprene**
Lid Clips: **304 Grade Stainless Steel**
Feet: **Adjustable Tilting 50 mm**

GR3 Grease Release[®] Semi Automatic Grease Trap

Specification Sheet

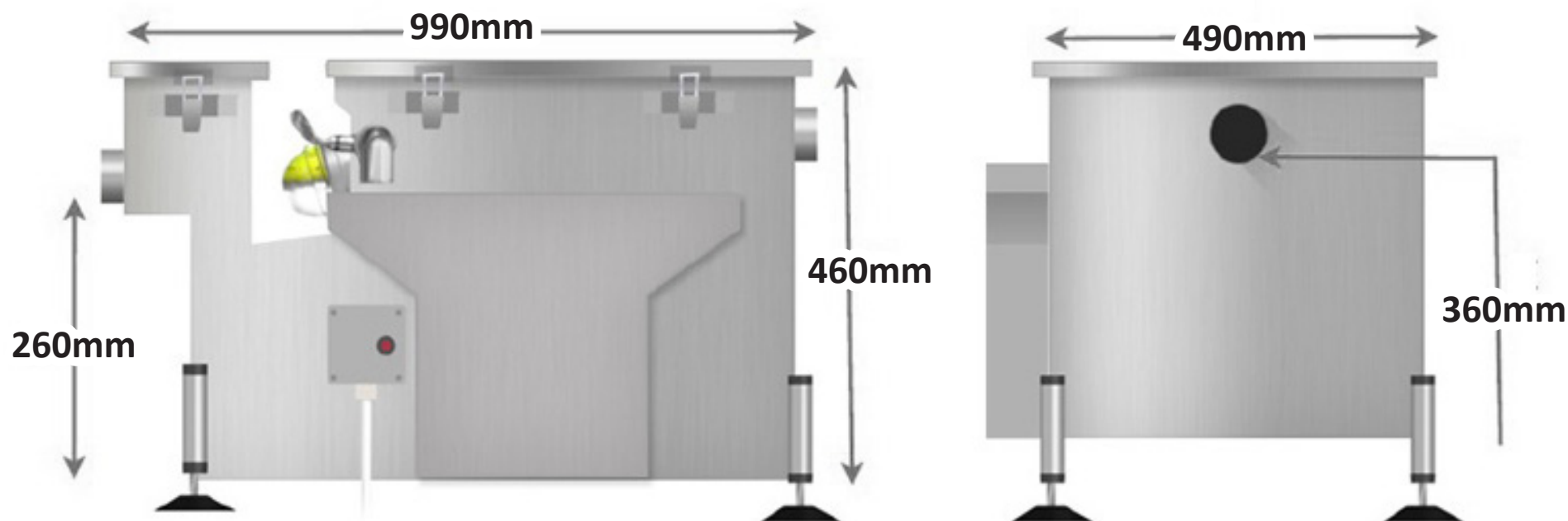


Flow Rate: **2.0 Litres Per Second**
Pipe Size: **In-Let: 40 mm / Out-Let: 50mm**
Application: **2- 4 Medium Commercial Sinks**

Material: **304 Grade Stainless Steel**
Seal Type: **Neoprene**
Lid Clips: **304 Grade Stainless Steel**
Feet: **Adjustable Tilting 50 mm**

GR4 Grease Release[®] Semi Automatic Grease Trap

Specification Sheet



Flow Rate: **2.5 Litres Per Second**
Pipe Size: **In-Let: 40 mm / Out-Let: 50mm**
Application: **Multiple Sinks**

Material: **304 Grade Stainless Steel**
Seal Type: **Neoprene**
Lid Clips: **304 Grade Stainless Steel**
Feet: **Adjustable Tilting 50 mm**