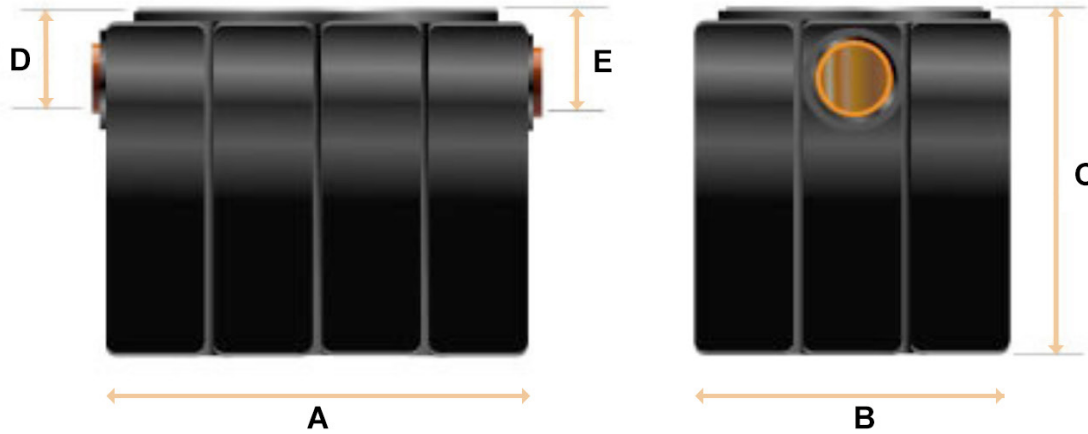


Polytraps GT Underground Grease Traps

Sizing and Dimensions



The size / flow rate is the most important factor when choosing your grease trap.

The adjacent chart is an excellent guide to what size you may need.

Alternatively, if you are unsure contact one of our staff on 01325 460040.

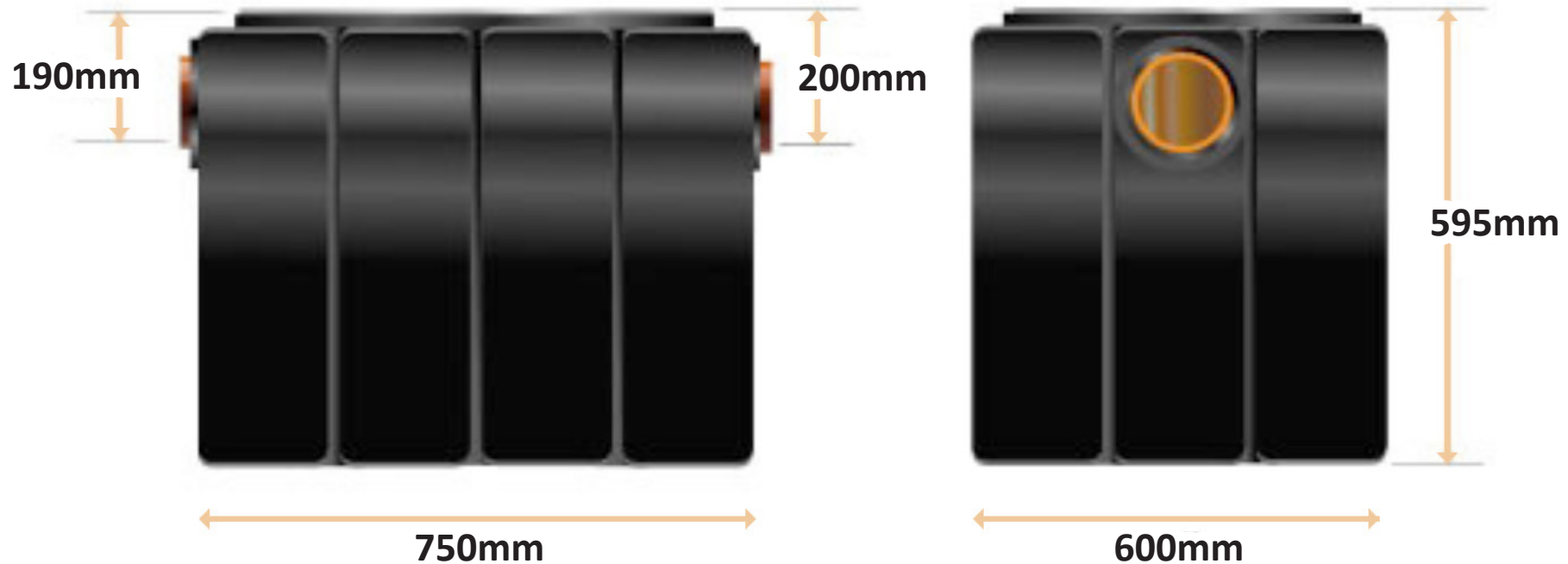
Model	Capacity	Application	A	B	C	D	E
GT1	150 Litres	Small/Med Sized Restaurants / Pubs	750	600	595	190	200
GT2	300 Litres	Med Sized Restaurants / Pubs / Hotels	1510	600	595	190	220
GT3	450 Litres	Large Sized Restaurants / Pubs / Hotels	1670	690	690	190	220

(In-Let Size 110mm, Out-Let Size 110mm)

Above Sizes Shown in Millimetres

GT1 - 150 Litre Polytraps GT Grease Traps

Specification Sheet

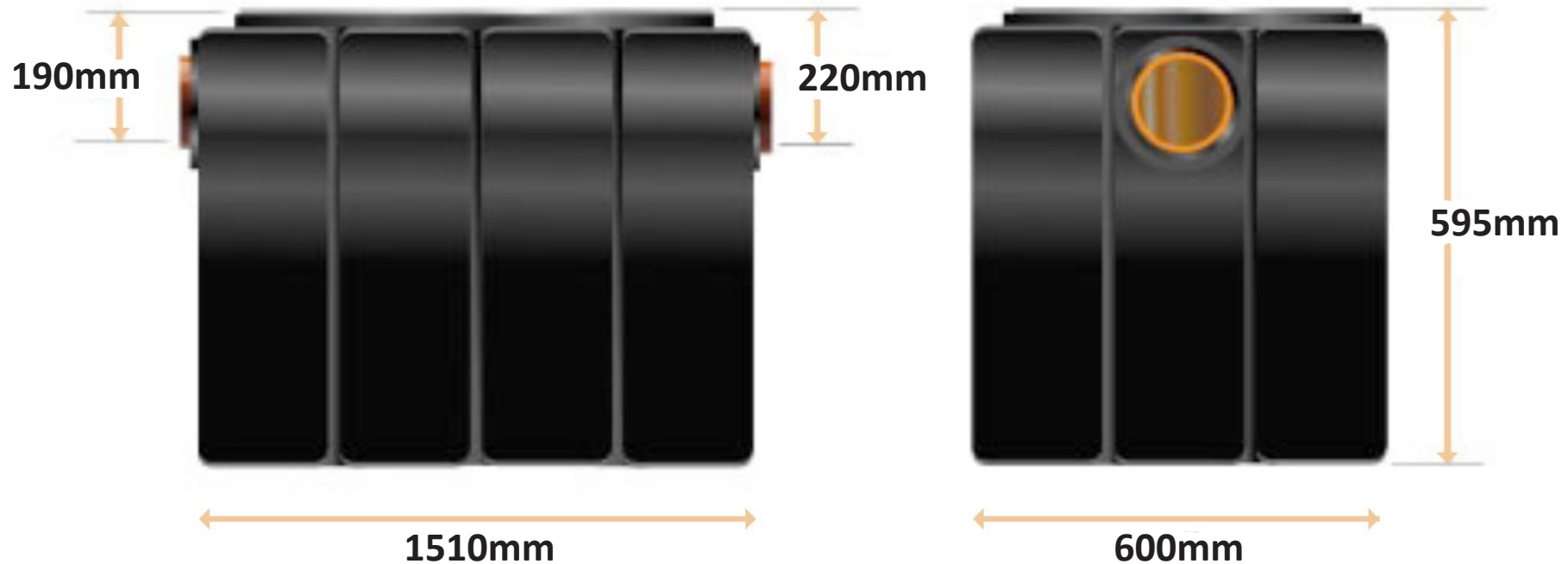


Capacity: **150 Litre**
Pipe Size: **In-Let: 110 mm / Out-Let: 110mm**
Application: **Small/Med Sized Restaurants / Pubs**
Installation: **Underground**

Material: **High Density Polyethylene**
Lid Type: **Galvanized Steel Pedestrian**
Optional: **220mm HDPE Riser**

GT2 - 300 Litre Polytraps GT Grease Traps

Specification Sheet

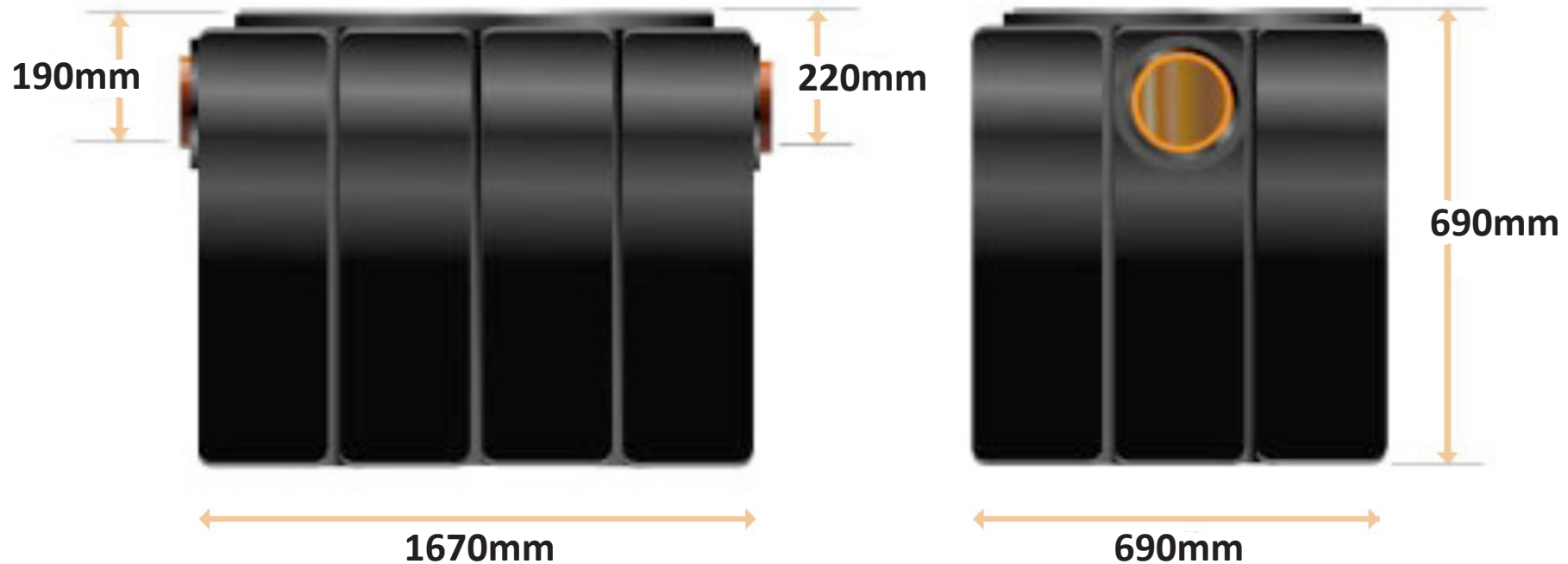


Capacity: **300 Litre**
Pipe Size: **In-Let: 110 mm / Out-Let: 110mm**
Application: **Med Sized Restaurants / Pubs / Hotels**
Installation: **Underground**

Material: **High Density Polyethylene**
Lid Type: **Galvanized Steel Pedestrian**
Optional: **220mm Stackable HDPE Riser**

GT3 - 450 Litre Polytraps GT Grease Traps

Specification Sheet



Capacity: **450 Litre**
Pipe Size: **In-Let: 110 mm / Out-Let: 110mm**
Application: **Large Sized Restaurants / Pubs / Hotels**
Installation: **Underground**

Material: **High Density Polyethylene**
Lid Type: **Galvanized Steel Pedestrian**
Optional: **220mm Stackable HDPE Riser**