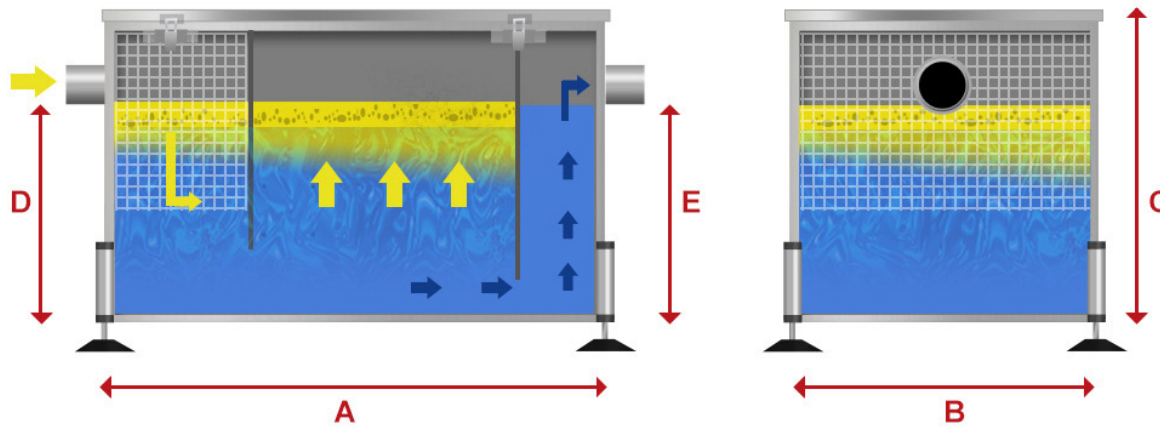


# GT Grease Catcher Grease Traps

## Sizing and Dimensions

**GREASE CATCHER®  
GREASE TRAPS**



The size / flow rate is the most important factor when choosing your grease trap.

The adjacent chart is an excellent guide to what size you may need.

Alternatively, if you are unsure contact one of our staff on 01325 460040.

| Model    | Flow Rate  | Application  | A    | B   | C   | D   | E   |
|----------|------------|--|------|-----|-----|-----|-----|
| GTB 37L  | 37 Litres  | 1-2 small commercial sinks and dishwasher.                   | 380  | 300 | 310 | 280 | 270 |
| GTB 45L  | 45 Litres  | 1-2 small / medium commercial sinks & dishwasher.            | 460  | 300 | 310 | 280 | 270 |
| GTB 65L  | 65 Litres  | 1-2 medium / large commercial sinks & dishwasher.            | 660  | 300 | 310 | 280 | 270 |
| GTB 85L  | 85 Litres  | 1-3 medium / large commercial sinks & dishwasher.            | 500  | 400 | 420 | 360 | 350 |
| GTB 135L | 135 Litres | 2-3 large commercial sinks & dishwasher.                     | 800  | 400 | 420 | 360 | 350 |
| GTB 170L | 170 Litres | large restaurants & hotels with multiple sinks & dishwasher. | 1000 | 500 | 420 | 360 | 350 |

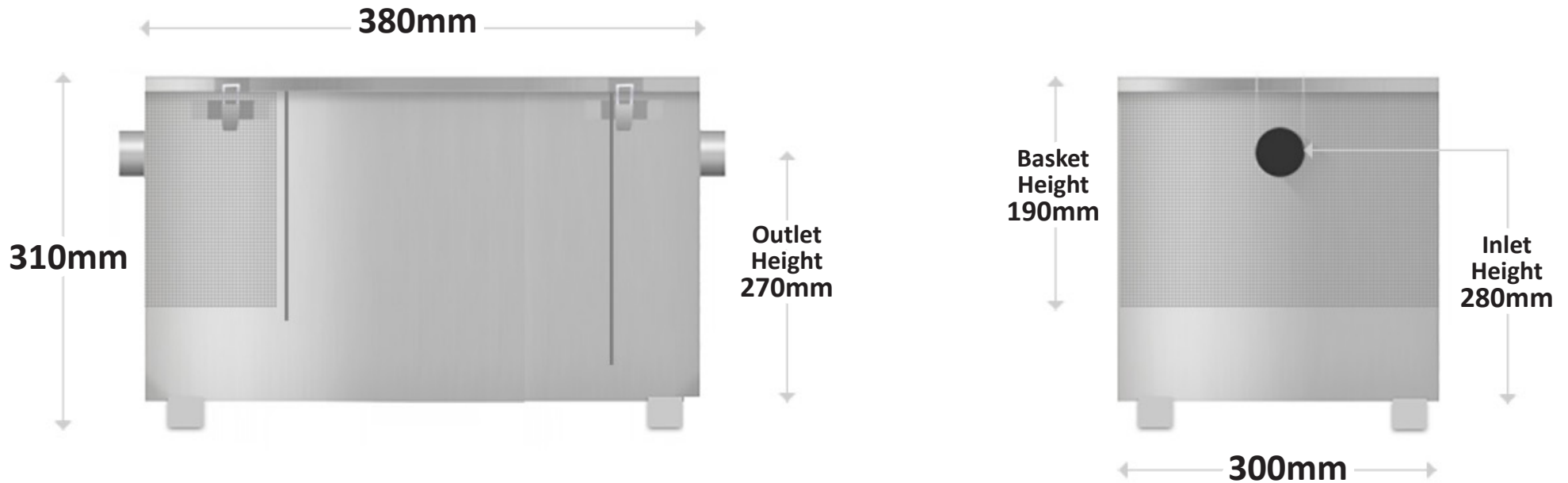
(In-Let Size 40mm, Out-Let Size 50mm)

Above Sizes Shown in Millimetres

# GTB 37 Litre GT Grease Catcher Grease Trap

## Specification Sheet

**GREASE CATCHER®**  
**GREASE TRAPS**



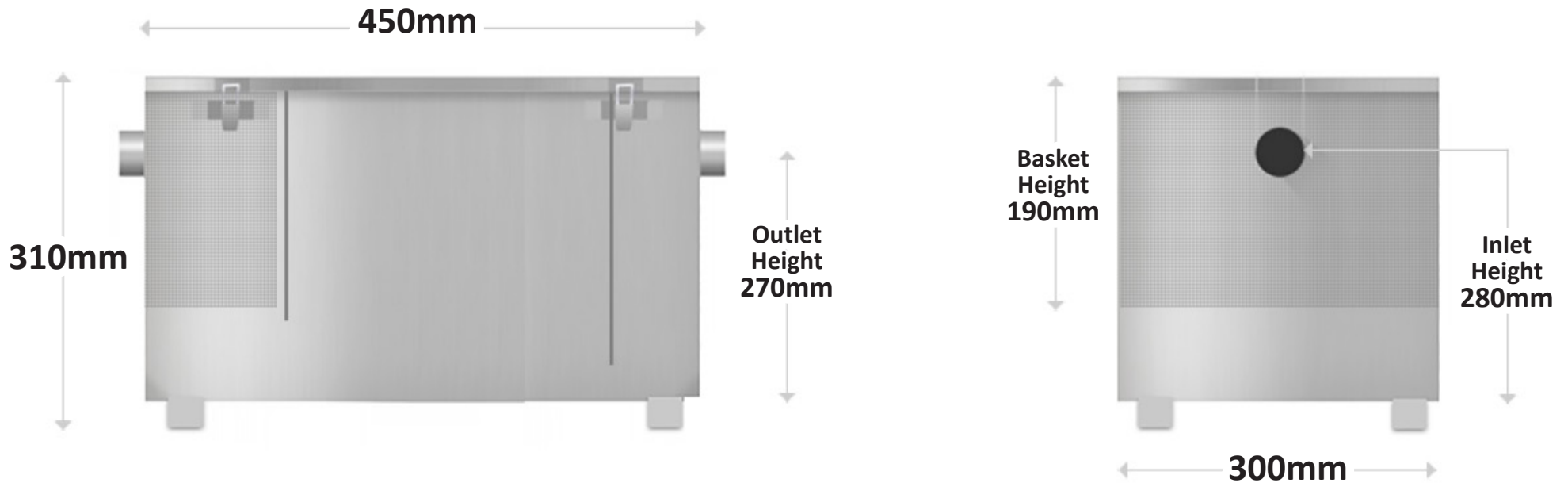
Capacity: **37 Litre**  
Pipe Size: **In-Let: 40 mm / Out-Let: 50mm**  
Application: **1-2 small commercial sinks and dishwasher.**

Material: **304 Grade Stainless Steel**  
Seal Type: **Neoprene**  
Lid Clips: **304 Grade Stainless Steel**  
Feet: **Adjustable Tilting 50 mm**

# GTB 45 Litre GT Grease Catcher Grease Trap

## Specification Sheet

**GREASE CATCHER®**  
**GREASE TRAPS**



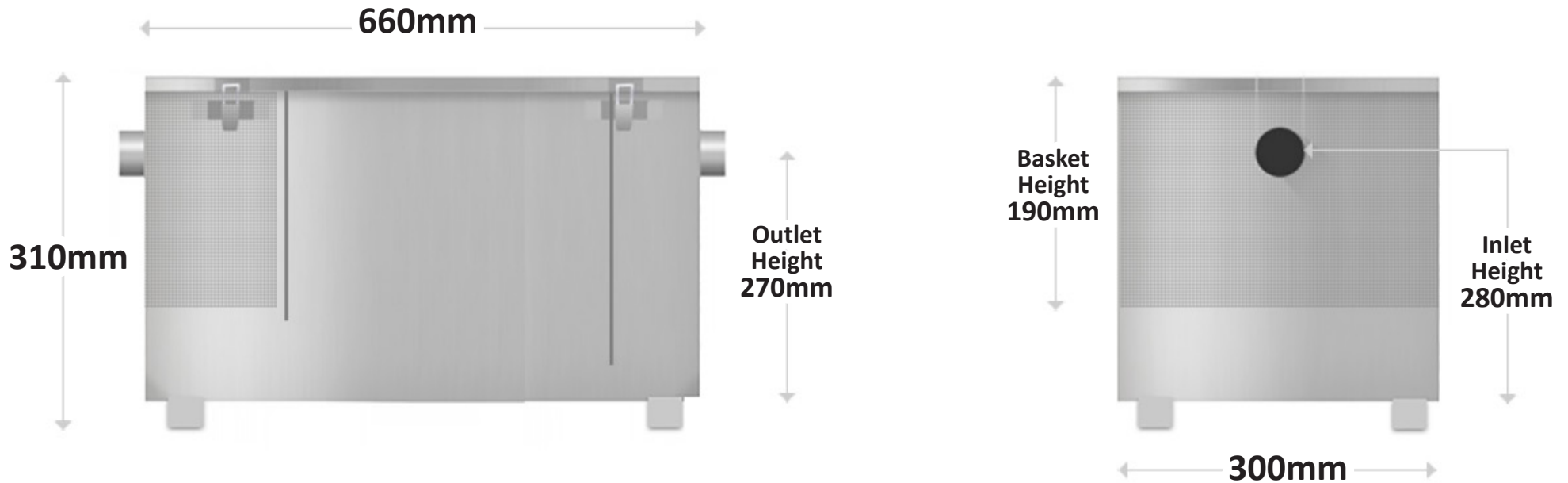
Capacity: **37 Litre**  
Pipe Size: **In-Let: 40 mm / Out-Let: 50mm**  
Application: **1-2 small commercial sinks and dishwasher.**

Material: **304 Grade Stainless Steel**  
Seal Type: **Neoprene**  
Lid Clips: **304 Grade Stainless Steel**  
Feet: **Adjustable Tilting 50 mm**

# GTB 65 Litre GT Grease Catcher Grease Trap

## Specification Sheet

**GREASE CATCHER®**  
**GREASE TRAPS**



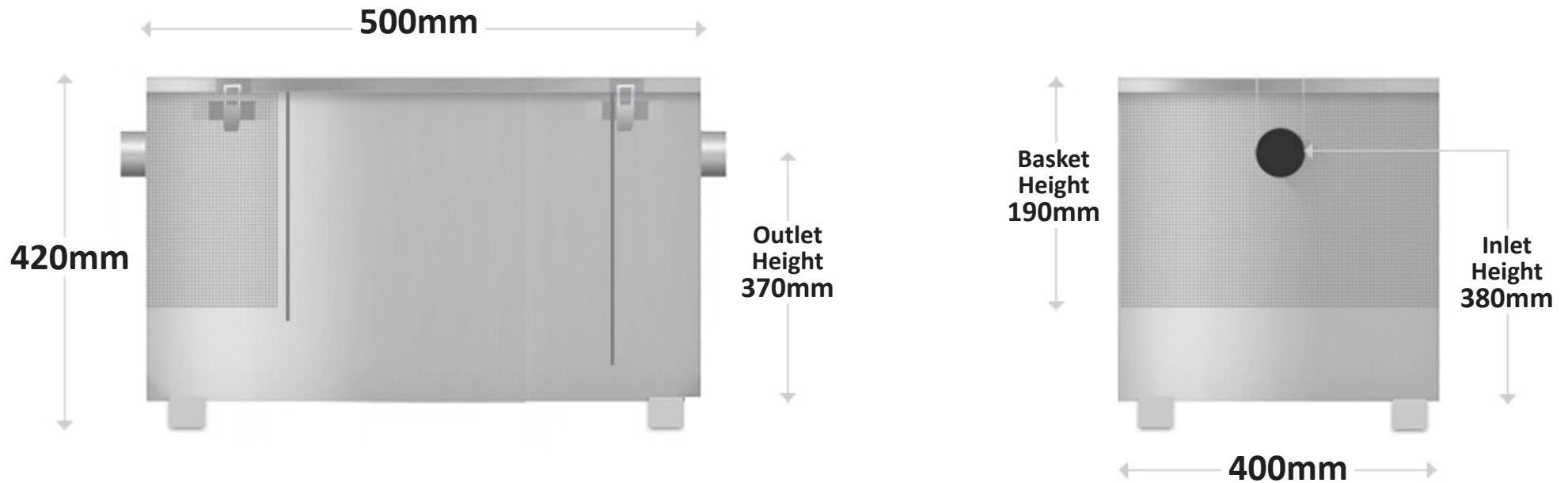
Capacity: **65 Litre**  
Pipe Size: **In-Let: 40 mm / Out-Let: 50mm**  
Application: **1-2 medium / large commercial sinks & dishwasher.**

Material: **304 Grade Stainless Steel**  
Seal Type: **Neoprene**  
Lid Clips: **304 Grade Stainless Steel**  
Feet: **Adjustable Tilting 50 mm**

# GTB 85 Litre GT Grease Catcher Grease Trap

## Specification Sheet

**GREASE CATCHER®**  
**GREASE TRAPS**



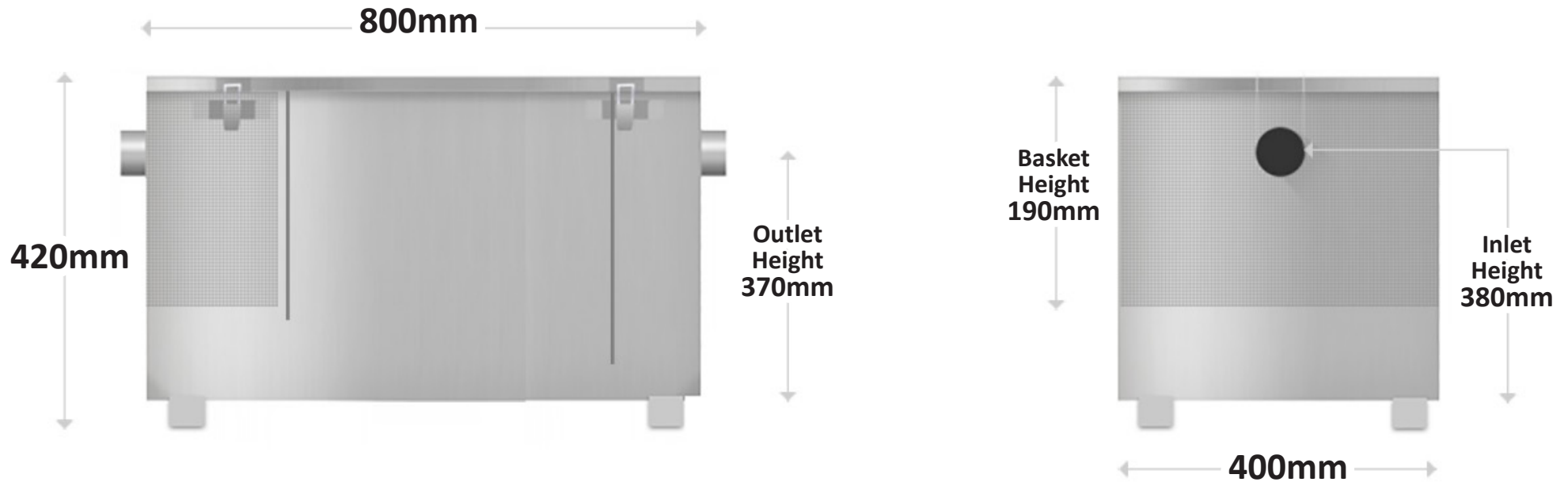
Capacity: **85 Litre**  
Pipe Size: **In-Let: 40 mm / Out-Let: 50mm**  
Application: **1-3 Medium / Large Commercial Sinks & Dishwasher**

Material: **304 Grade Stainless Steel**  
Seal Type: **Neoprene**  
Lid Clips: **304 Grade Stainless Steel**  
Feet: **Adjustable Tilting 50 mm**

# GTB 135 Litre GT Grease Catcher Grease Trap

## Specification Sheet

**GREASE CATCHER®**  
**GREASE TRAPS**



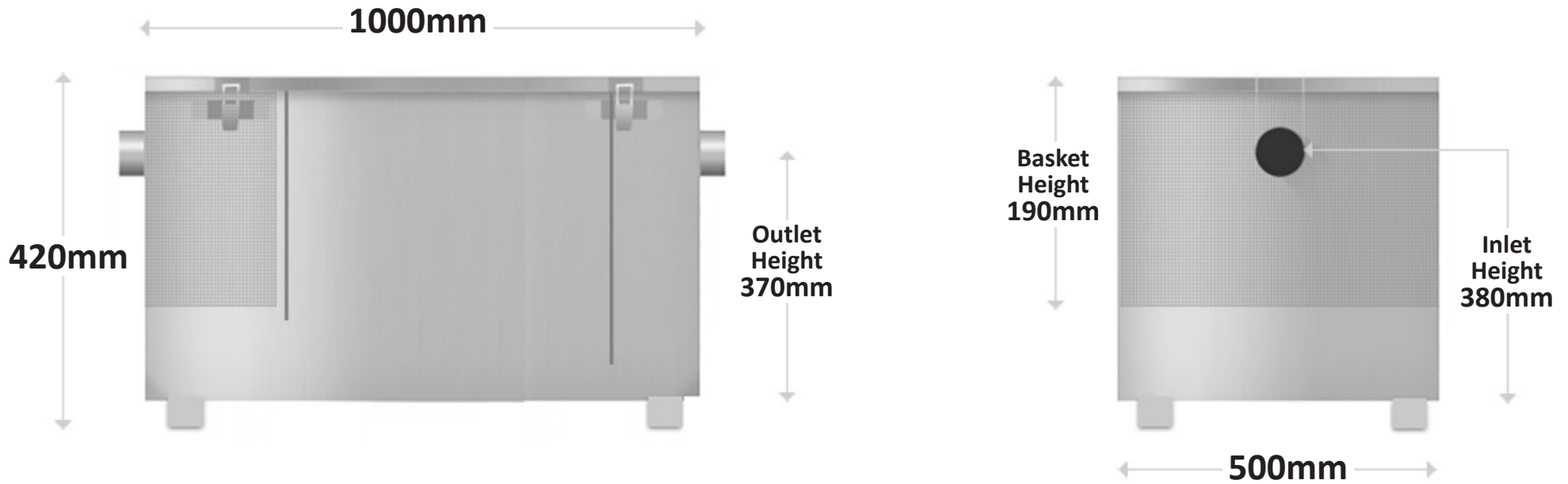
Capacity: **135 Litre**  
Pipe Size: **In-Let: 40 mm / Out-Let: 50mm**  
Application: **2-3 Large Commercial Sinks & Dishwasher.**

Material: **304 Grade Stainless Steel**  
Seal Type: **Neoprene**  
Lid Clips: **304 Grade Stainless Steel**  
Feet: **Adjustable Tilting 50 mm**

# GTB 170 Litre GT Grease Catcher Grease Trap

## Specification Sheet

**GREASE CATCHER®**  
**GREASE TRAPS**



Capacity: **170 Litre**  
Pipe Size: **In-Let: 40 mm / Out-Let: 50mm**  
Application: **Large Restaurants & Hotels / Multiple Minks & Dishwasher.**

Material: **304 Grade Stainless Steel**  
Seal Type: **Neoprene**  
Lid Clips: **304 Grade Stainless Steel**  
Feet: **Adjustable Tilting 50 mm**