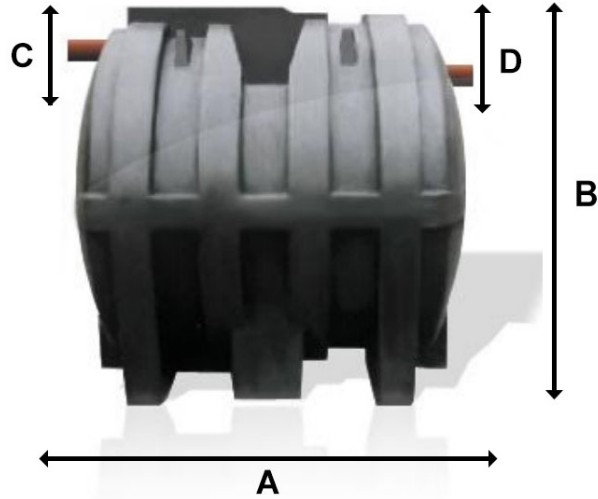




Poly Trap GS Underground Interceptors

Sizing and Dimensions



The size / flow rate is the most important factor when choosing your grease trap.

The adjacent chart is an excellent guide to what size you may need.

Alternatively, if you are unsure contact one of our staff on 01325 460040.

Model	Capacity	Application	A	B	C	D
GS1 1000L	1000 Litres	Large Sized Restaurants / Hotels / Food Processing	1260	1520	450	500
GS2 2000L	2000 Litres	Large Sized Restaurants / Hotels / Food Processing	1260	2100	450	500
GS3 3000L	3000 Litres	Large Sized Hotels / Food Processing	1560	2130	500	550
GS4 6000L	6000 Litres	Large Sized Hotels / Food Processing	2360	2130	450	500

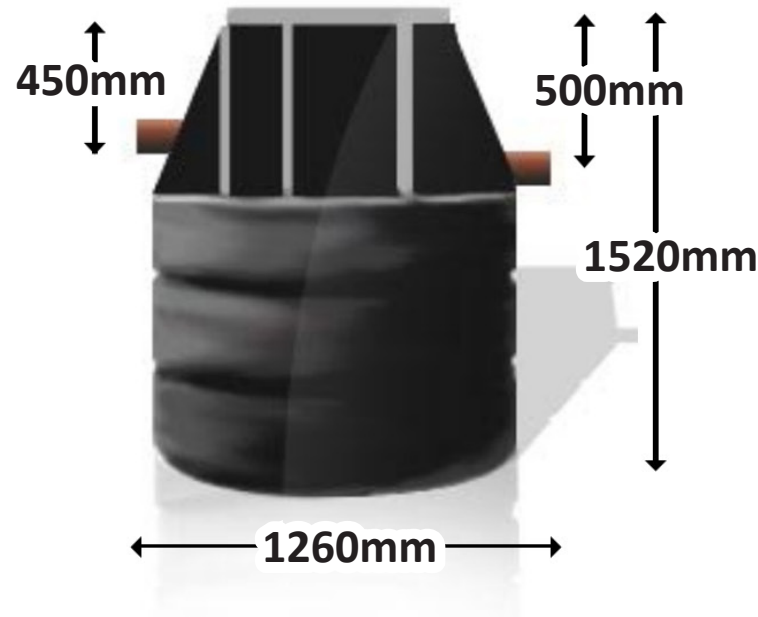
(In-Let Size 110mm, Out-Let Size 110mm)

Above Sizes Shown in Millimetres



GS1 1000L Polytraps Grease Interceptor

Specification Sheet



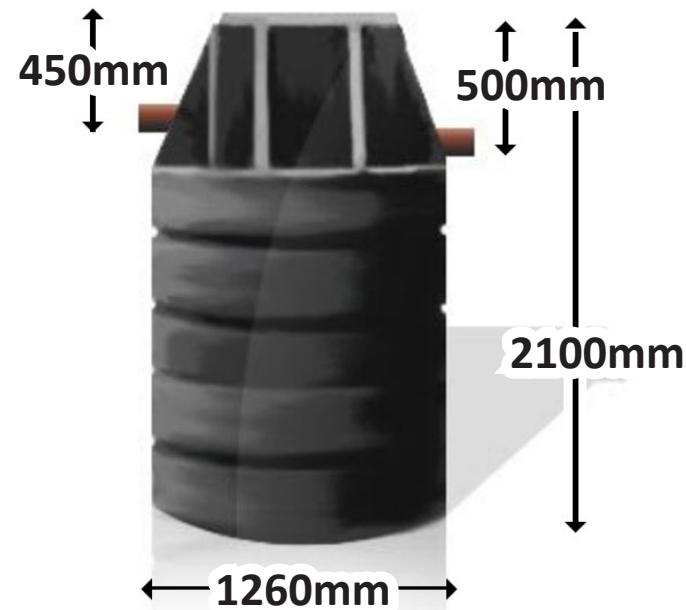
Capacity: **1000 Litre**
Pipe Size: **In-Let: 110 mm / Out-Let: 110mm**
Application: **Large Sized Restaurants / Hotels / Food Processing**
Installation: **Underground**

Material: **High Density Polyethylene Lockable**
Cover: **Heavy Duty Plastic UK rated**
Optional: **220mm Stackable HDPE Riser**



GS2 2000L Polytraps Grease Interceptor

Specification Sheet



Capacity: **2000 Litre**
Pipe Size: **In-Let: 110 mm / Out-Let: 110mm**
Application: **Large Sized Restaurants / Hotels / Food Processing**
Installation: **Underground**

Material: **High Density Polyethylene Lockable**
Cover: **Heavy Duty Plastic UK rated**
Optional: **220mm Stackable HDPE Riser**



GS3 3000L Polytraps Grease Interceptor

Specification Sheet



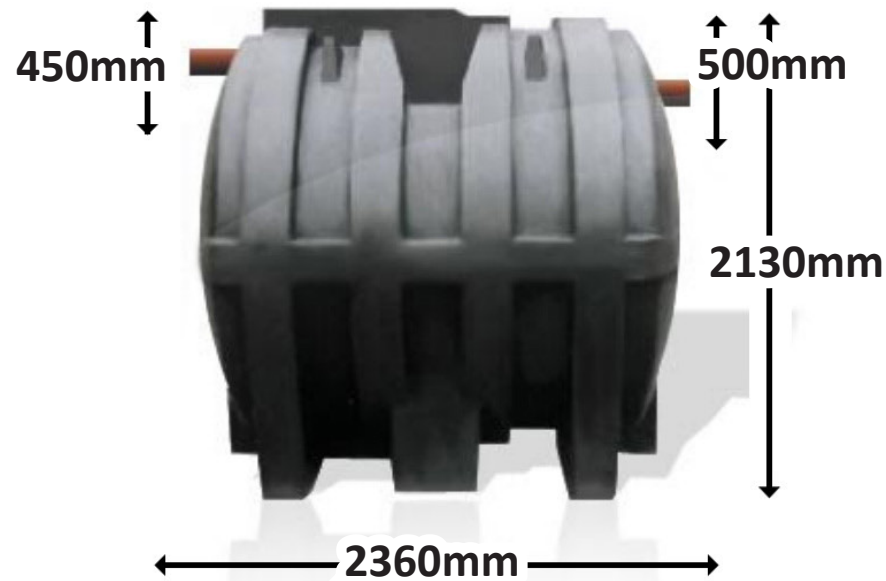
Capacity: **3000 Litre**
Pipe Size: **In-Let: 110 mm / Out-Let: 110mm**
Application: **Large Sized Hotels / Food Processing**
Installation: **Underground**

Material: **High Density Polyethylene Lockable**
Cover: **Heavy Duty Plastic UK rated**
Optional: **220mm Stackable HDPE Riser**



GS4 6000L Polytraps Grease Interceptor

Specification Sheet



Capacity: **6000 Litre**
Pipe Size: **In-Let: 110 mm / Out-Let: 110mm**
Application: **Large Sized Hotels / Food Processing**
Installation: **Underground**

Material: **High Density Polyethylene Lockable**
Cover: **Heavy Duty Plastic UK rated**
Optional: **220mm Stackable HDPE Riser**