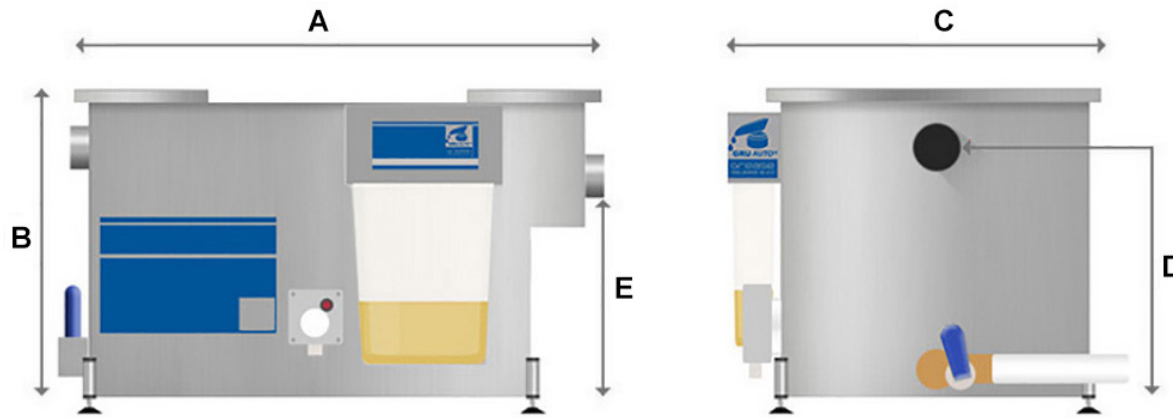


GRU AUTO[®] Recovery Unit Auto Grease Traps

Sizing and Dimensions



The size / flow rate is the most important factor when choosing your grease trap.

The adjacent chart is an excellent guide to what size you may need.

Alternatively, if you are unsure contact one of our staff on 01325 460040.

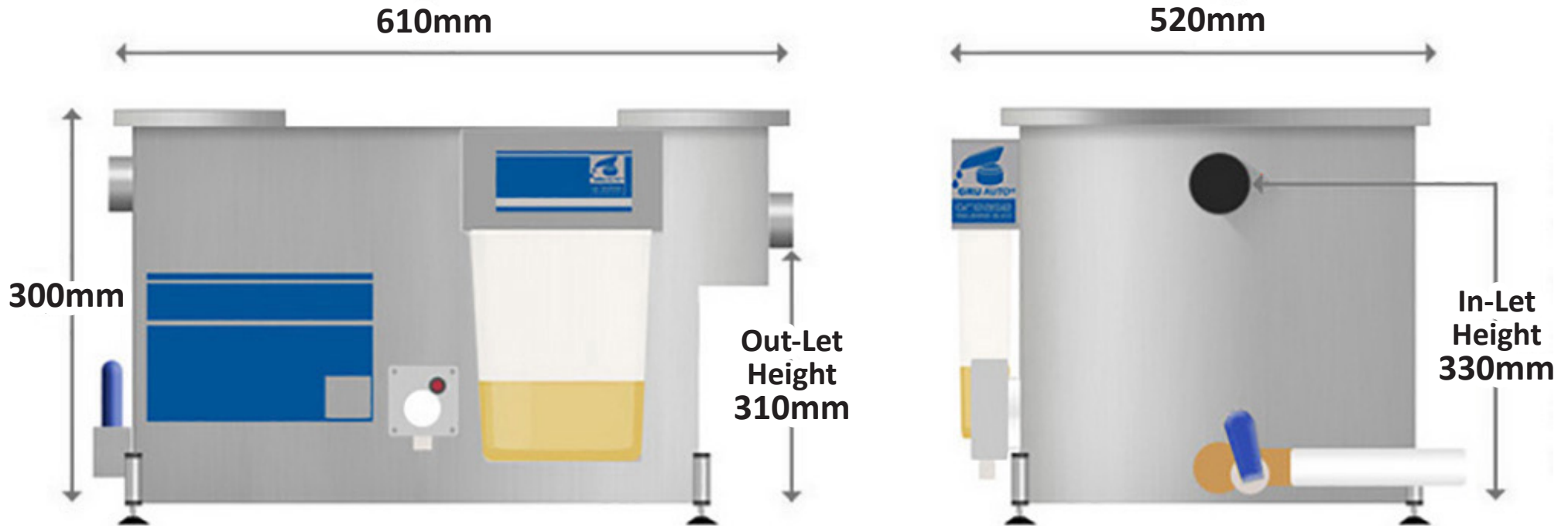
Model	Flow Rate	A	B	C	D	E	Clear Above Basket Removal	Inlet	Outlet
GRU Auto 1	1 Litre Per Second	350	610	520	330	310	180	40	50
GRU Auto 2	1.5 Litre Per Second	350	710	520	330	310	180	40	50
GRU Auto 3	2 Litre Per Second	350	1000	520	330	310	180	40	50
GRU Auto 4	2.5 Litre Per Second	350	1250	520	330	310	180	40	50

(In-Let Size 40mm, Out-Let Size 50mm)

Above Sizes Shown in Millimetres

GRU AUTO[®] 1 Recovery Unit Auto Grease Trap

Specification Sheet

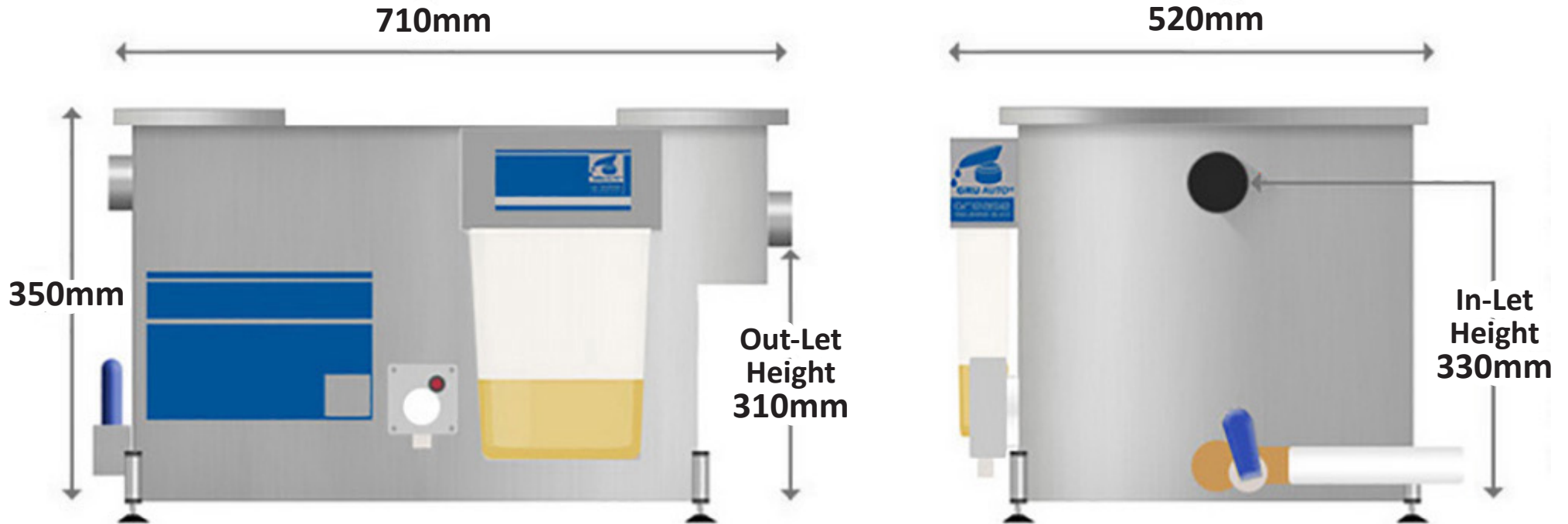


GRU Auto 1: **1 Litre Per Second**
Pipe Size: **In-Let: 40 mm / Out-Let: 50mm**
Application: **1 - 2 Commercial Sinks**
Basket Clear: **180mm**

Material: **304 Grade Stainless Steel**
Seal Type: **Neoprene**
Lid Clips: **304 Grade Stainless Steel**
Feet: **Adjustable Tilting 100mm**

GRU AUTO[®] 2 Recovery Unit Auto Grease Trap

Specification Sheet

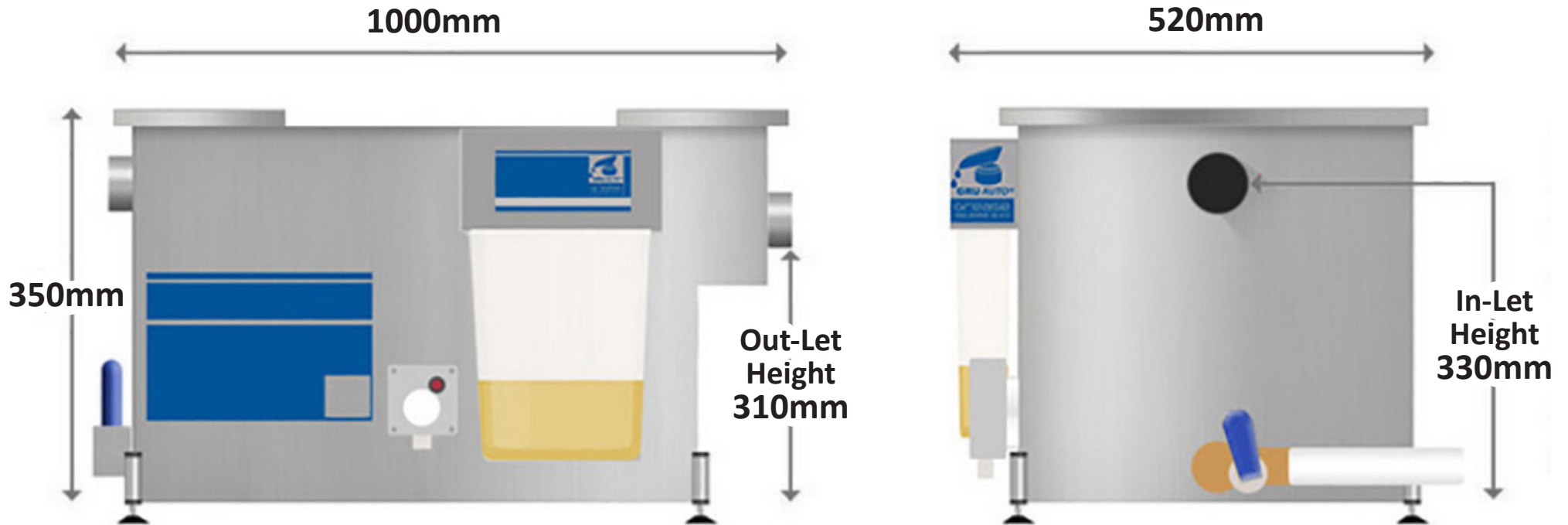


GRU Auto 2: **1.5 Litres Per Second**
Pipe Size: **In-Let: 40 mm / Out-Let: 50mm**
Application: **2 - 3 Commercial Sinks**
Basket Clear: **180mm**

Material: **304 Grade Stainless Steel**
Seal Type: **Neoprene**
Lid Clips: **304 Grade Stainless Steel**
Feet: **Adjustable Tilting 100mm**

GRU AUTO[®] 3 Recovery Unit Auto Grease Trap

Specification Sheet

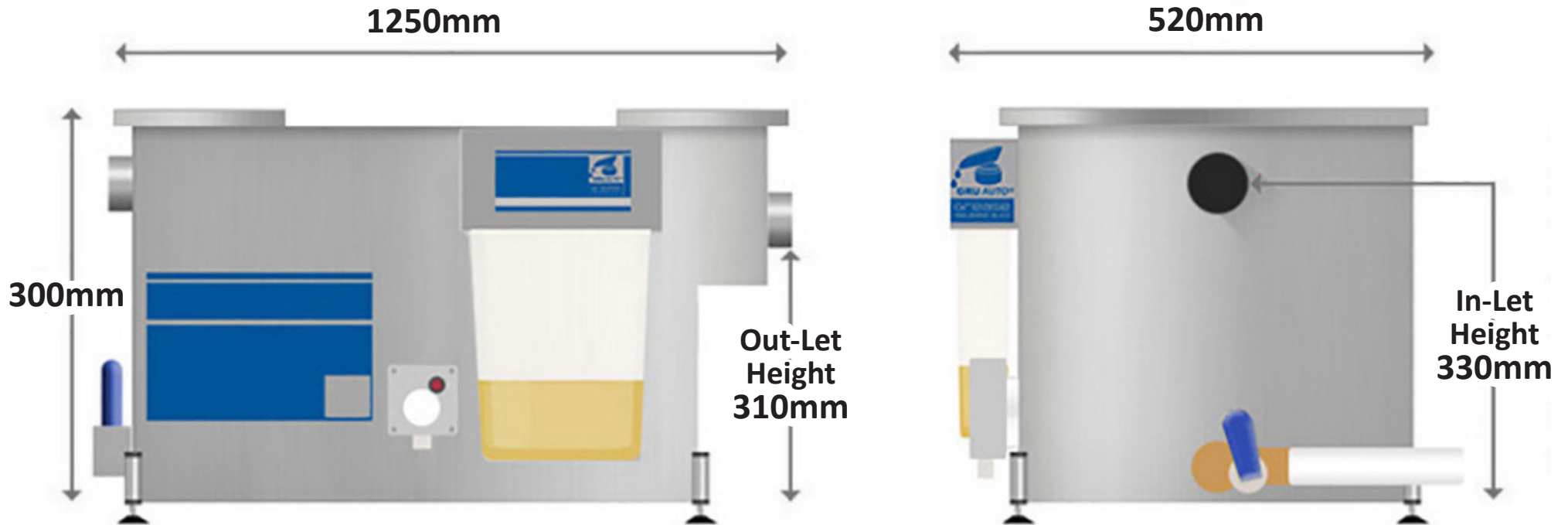


GRU Auto 3: **2 Litres Per Second**
Pipe Size: **In-Let: 40 mm / Out-Let: 50mm**
Application: **3 - 4 Commercial Sinks Commercial Sinks**
Basket Clear: **180mm**

Material: **304 Grade Stainless Steel**
Seal Type: **Neoprene**
Lid Clips: **304 Grade Stainless Steel**
Feet: **Adjustable Tilting 100mm**

GRU AUTO[®] 4 Recovery Unit Auto Grease Trap

Specification Sheet



GRU Auto 4: **2.5 Litres Per Second**
Pipe Size: **In-Let: 40 mm / Out-Let: 50mm**
Application: **Multiple Sinks**
Basket Clear: **180mm**

Material: **304 Grade Stainless Steel**
Seal Type: **Neoprene**
Lid Clips: **304 Grade Stainless Steel**
Feet: **Adjustable Tilting 100mm**